

1

2

3

4

A

A

B

B

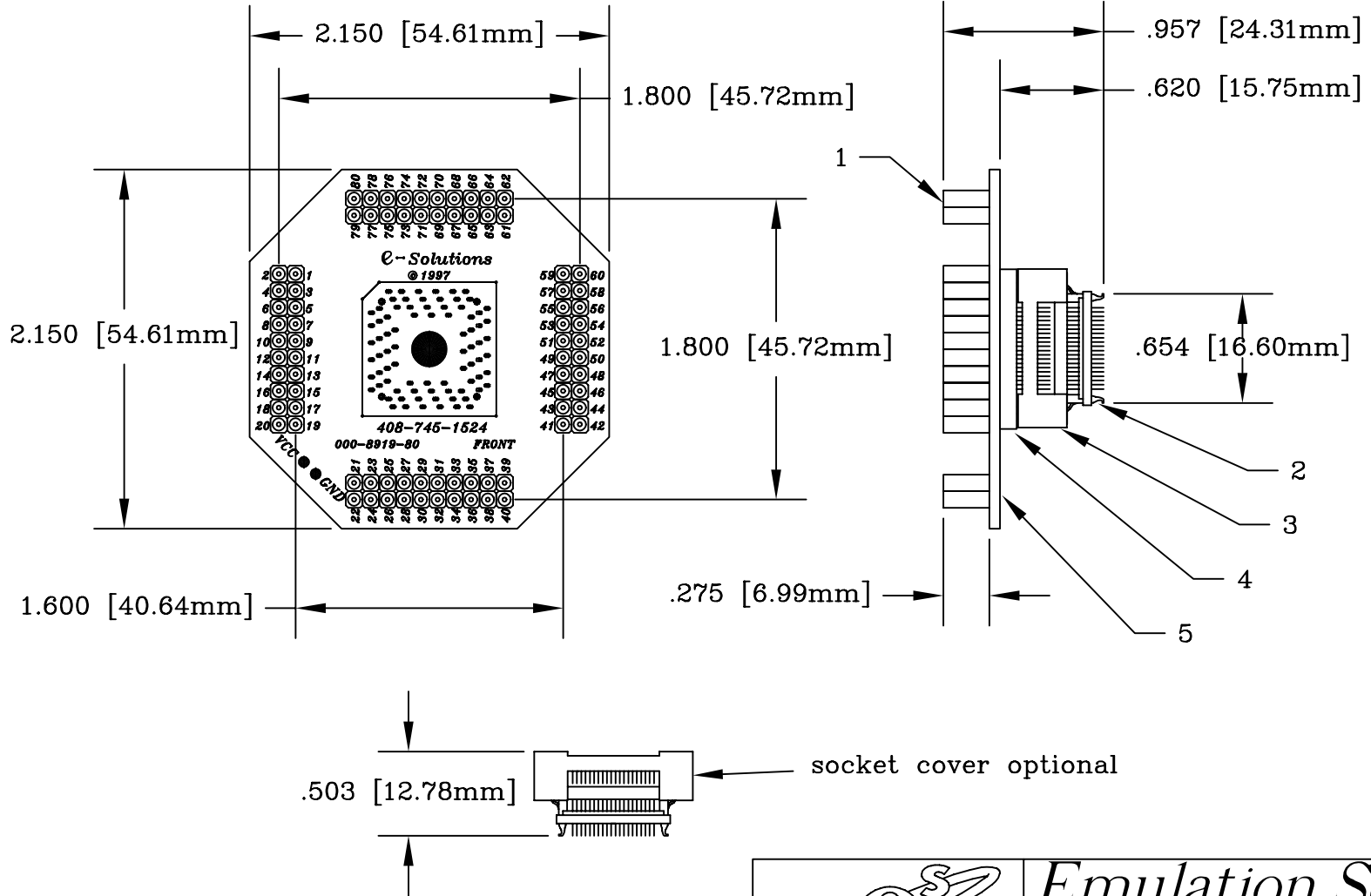
C

C

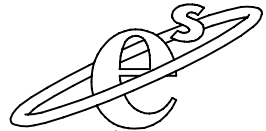
D

D

REVISIONS				
ZONE	REV	DESCRIPTION	DATE	APPROVED



NO.	PART NUMBER	DESCRIPTION	QTY.
1	000-1536-00	HEADR-WWP-F-1-025-(.023X.118)-1X36	4
2	000-2177-00	BASE-NQ-080Q65-SMT	1
3	000-2179-00	BASE-YQ-080Q65-EM-CVR	1
4	000-2869	RECEP-TQ-080Q65-3mmGP-FSTNR	1
5	000-8919-80	PCB-NOHAU-080Q65-515C-NQ/TQ	1



Emulation Solutions
An Embedded Systems Solutions Company

DESCRIPTION: EMADSMT-NOHAU-080Q65-515C-NQ

TEL:(408)745-1524
FAX:(408)745-1526

422 Ives Terrace
Sunnyvale, CA 94087

SIZE: A	DATE: 10-28-98	PART NO. 180-5550-00	REV
SCALE: 1:1	CHECKED: Gabor Kardos	DRAWN BY: Scott Barcellos	SHEET

1

2

3

4