

1

2

3

4

A

A

B

B

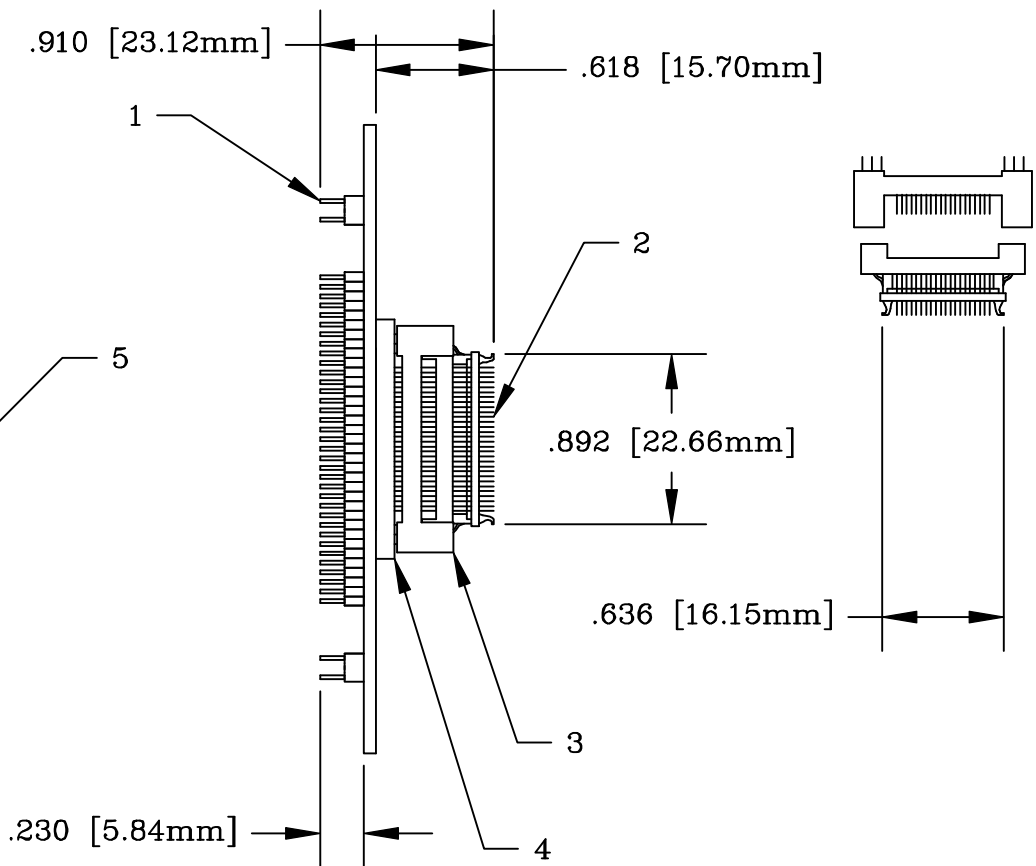
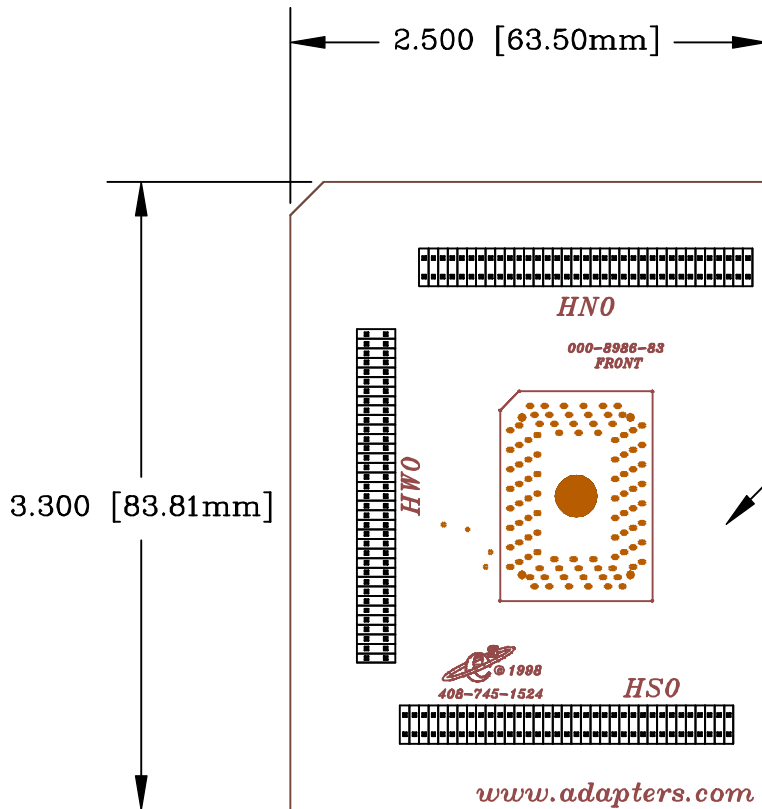
C

C


D

D

REVISIONS				
ZONE	REV	DESCRIPTION	DATE	APPROVED



NO.	PART NUMBER	DESCRIPTION	QTY.
1	000-1425-35	HEADR-MS-M-(.050x.100)-2x35	3
2	000-2233	BASE-NQ-100Q65R-SMT	1
3	000-2235	BASE-YQ-100Q65R-EM-CVR	1
4	000-3714	RECEP-YQ-100Q65R-SBF	1
5	000-8986-83	PCB-NOHAU-100Q65R-C517A	1



**adapters.com**  
An Embedded Systems Solutions Company

DESCRIPTION: EMADSMT-NOHAU-100Q65R-C517A-NQ

TEL:(408)855-8527  
FAX:(408)855-8528

3024 Scott Blvd.  
Santa Clara, CA 95054

SIZE: <b>A</b>	DATE: 11-12-99	PART NO. <b>180-5690-20</b>	REV
SCALE: <b>1:1</b>	CHECKED: <b>Gabor Kardos</b>	DRAWN BY: <b>S. Barcellos</b>	SHEET

1

2

3

4