

1

2

3

4

A

A

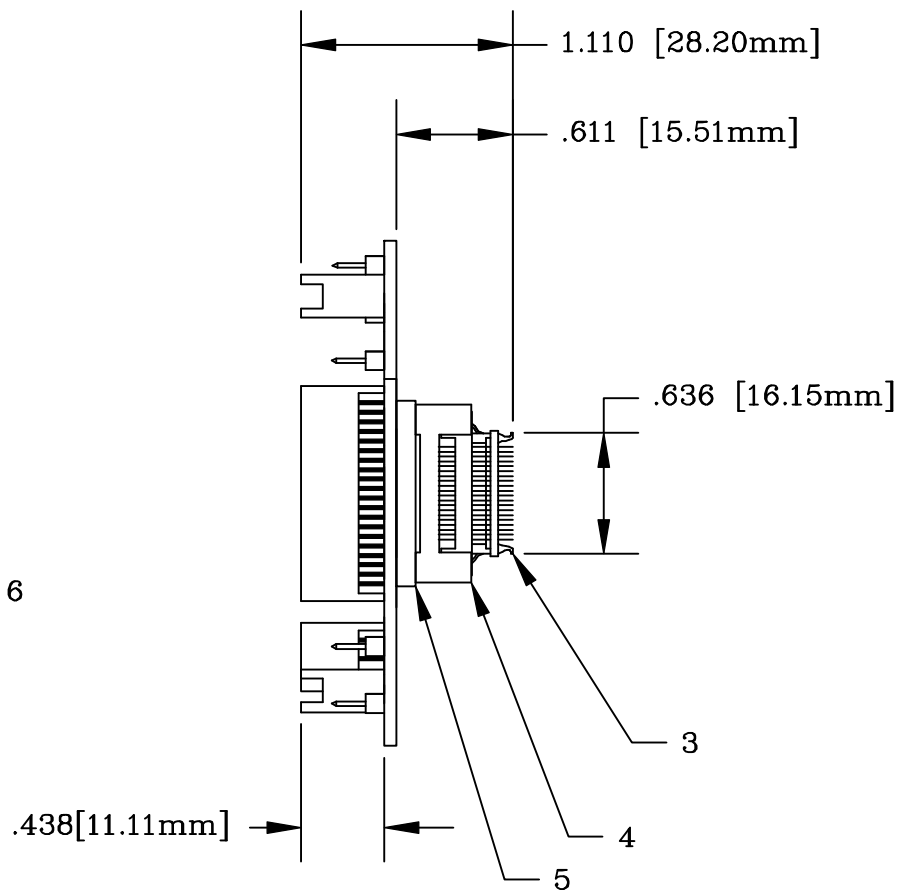
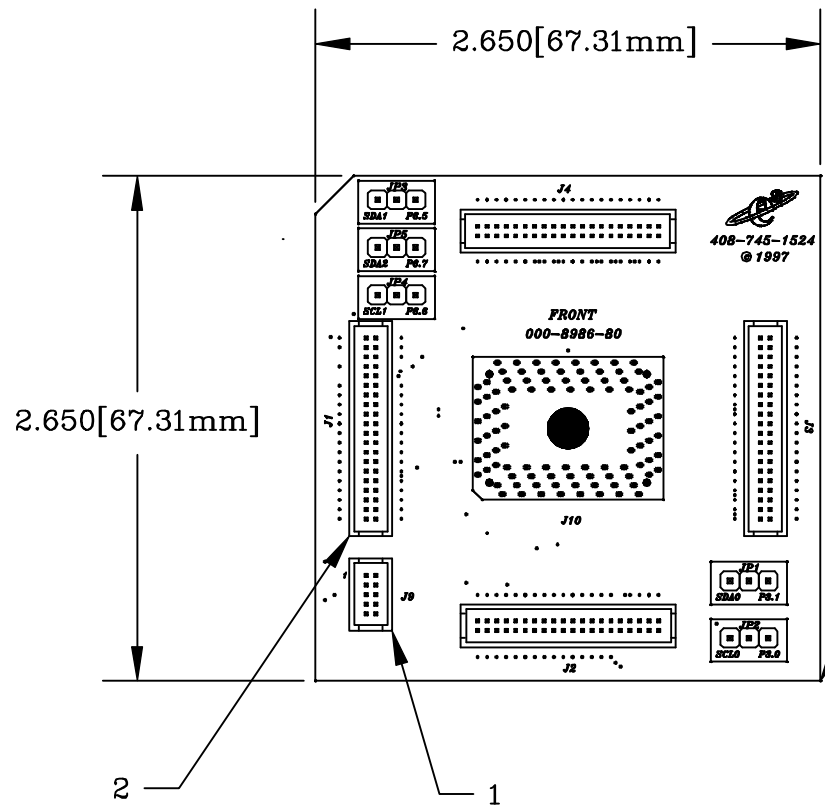
B

B


C

C

REVISIONS				
ZONE	REV	DESCRIPTION	DATE	APPROVED



NO.	PART NUMBER	DESCRIPTION	QTY.
1	000-1620-05	HEADR-BOX-SMT-M-5-2X05-LOCKING	1
2	000-1620-20	HEADR-BOX-SMT-M-5-2X20-LOCKING	4
3	000-2233	BASE-NQ-100Q65R-SMT	1
4	000-2235	BASE-YQ-100Q65-EM-CVR	1
5	000-3714	RECEP-YQ-100Q65R-SBF	1
6	000-8986-80	PCB-NOHAU-100Q65R-NQ-C161RI	1



www.adapters.com

TEL:(408)855-8527
FAX:(408)855-8528

3024 Scott Blvd.
Santa Clara, CA 95054

adapters.com

An Embedded Systems Solutions Company

DESCRIPTION: EMADSMT-100Q65-NQ-NOHAU-C161RI

SIZE: **A** DATE: 4-13-99 PART NO. **180-5690-50** REV

SCALE: **1:1** CHECKED: **Gabor Kardos** DRAWN BY: **S. Barcellos** SHEET

1

2

3

4

D

D